

CRATE

SHOCKWAVE

GT3500H

**Three-Channel
Guitar Amplifier**



User's Guide

TABLE OF CONTENTS:	
Introduction	3
The Front Panel	4
The Rear Panel	5
Suggested Settings	6
System Block Diagram	7
Technical Specificationsback cover

<div style="text-align: center; border: 1px solid black; padding: 2px;"> CAUTION <small>RISK OF ELECTRIC SHOCK DO NOT OPEN</small> </div> <p style="font-size: 8px; margin-top: 5px;">WARNING: TO REDUCE THE RISK OF FIRE OR ELECTRIC SHOCK, DO NOT EXPOSE THIS APPARATUS TO RAIN OR MOISTURE. TO REDUCE THE RISK OF ELECTRIC SHOCK, DO NOT REMOVE COVER. NO USER-SERVICEABLE PARTS INSIDE. REFER SERVICING TO QUALIFIED SERVICE PERSONNEL.</p>	<div style="text-align: center; border: 1px solid black; padding: 2px;"> PRECAUCION <small>RIESGO DE CORRIENTAZO NO ABRA</small> </div> <p style="font-size: 8px; margin-top: 5px;">PRECAUCION: PARA REDUCIR EL RIESGO DE INCENDIOS O DESCARGAS ELECTRICAS, NO PERMITA QUE ESTE APARATO QUEDE EXPUESTO A LA LLUVIA O LA HUMEDAD. PARA DISMINUIR EL RIESGO DE CORRIENTAZO, NO ABRA LA CUBIERTA. NO HAY PIEZAS ADETRON QUE EL USARIO PUEDO REPARAR DE JE TODO MANTENIMIENTO A LOS TECNICOS CALIFICADOS.</p>	<div style="text-align: center; border: 1px solid black; padding: 2px;"> ATTENTION <small>RISQUE D'ELECTROCUTION NE PAS OUVRIIR</small> </div> <p style="font-size: 8px; margin-top: 5px;">ATTENTION: PROTEGEZ CET APPAREIL DE LA PLUIE ET DE L'HUMIDITE AFIN D'EVITER TOUT RISQUE D'INCENDIE OU D'ELECTROCUTION. POUR REDUIRE D'ELECTROCUTION NE PAS ENLEVER LE COUVERCLE. AUCUNE PIECE INTERNE N'EST REPRABLE PAR L'UTILISATEUR. POUR TOUTE REPARATION, S'ADRESSER A UN TECHNICIEN QUALIFIE.</p>						
<h3>IMPORTANT SAFETY INSTRUCTIONS</h3> <ul style="list-style-type: none"> READ, FOLLOW, HEED, AND KEEP ALL INSTRUCTIONS AND WARNINGS. DO NOT OPERATE NEAR ANY HEAT SOURCE AND DO NOT BLOCK ANY VENTILATION OPENINGS ON THIS APPARATUS. FOR PROPER OPERATION, THIS UNIT REQUIRES 3" (75mm) OF WELL VENTILATED SPACE AROUND HEATSINKS AND OTHER AIR FLOW PROVISIONS IN THE CABINET. DO NOT USE THIS APPARATUS NEAR SPLASHING, FALLING, SPRAYING, OR STANDING LIQUIDS. CLEAN ONLY WITH LINT-FREE DAMP CLOTH AND DO NOT USE CLEANING AGENTS. ONLY CONNECT POWER CORD TO A POLARIZED, SAFETY GROUNDED OUTLET WIRED TO CURRENT ELECTRICAL CODES AND COMPATIBLE WITH VOLTAGE, POWER, AND FREQUENCY REQUIREMENTS STATED ON THE REAR PANEL OF THE APPARATUS. PROTECT THE POWER CORD FROM DAMAGE DUE TO BEING WALKED ON, PINCHED, OR STRAINED. UNPLUG THE APPARATUS DURING LIGHTNING STORMS OR WHEN UNUSED FOR LONG PERIODS OF TIME. ONLY USE ATTACHMENTS, ACCESSORIES, STANDS, OR BRACKETS SPECIFIED BY THE MANUFACTURER FOR SAFE OPERATION AND TO AVOID INJURY. WARNING: TO REDUCE THE RISK OF ELECTRIC SHOCK OR FIRE, DO NOT EXPOSE THIS UNIT TO RAIN OR MOISTURE.. SERVICE MUST BE PERFORMED BY QUALIFIED PERSONNEL. OUR AMPLIFIERS ARE CAPABLE OF PRODUCING HIGH SOUND PRESSURE LEVELS. CONTINUED EXPOSURE TO HIGH SOUND PRESSURE LEVELS CAN CAUSE PERMANENT HEARING IMPAIRMENT OR LOSS. USER CAUTION IS ADVISED AND EAR PROTECTION IS RECOMMENDED IF UNIT IS OPERATED AT HIGH VOLUME. 								
<table style="width: 100%; border: none;"> <tr> <td style="width: 33%; font-size: 8px;">EXPLANATION OF GRAPHICAL SYMBOLS:</td> <td style="width: 33%; text-align: center;"> = "DANGEROUS VOLTAGE" = "IT IS NECESSARY FOR THE USER TO REFER TO THE INSTRUCTION MANUAL" </td> <td style="width: 33%; font-size: 8px;">EXPLICACION DE SIMBOLOS GRAFICOS:</td> </tr> <tr> <td style="font-size: 8px;">EXPLICATION DES SYMBOLES GRAPHIQUES:</td> <td style="text-align: center;"> = "VOLTAJE PELIGROSO" = "ES NECESARIO QUE EL USUARIO SE REFIERA AL MANUAL DE INSTRUCCIONES." </td> <td style="font-size: 8px;">"REFERREZ-VOUS AU MANUAL D'UTILISATION"</td> </tr> </table>			EXPLANATION OF GRAPHICAL SYMBOLS:	= "DANGEROUS VOLTAGE" = "IT IS NECESSARY FOR THE USER TO REFER TO THE INSTRUCTION MANUAL"	EXPLICACION DE SIMBOLOS GRAFICOS:	EXPLICATION DES SYMBOLES GRAPHIQUES:	= "VOLTAJE PELIGROSO" = "ES NECESARIO QUE EL USUARIO SE REFIERA AL MANUAL DE INSTRUCCIONES."	"REFERREZ-VOUS AU MANUAL D'UTILISATION"
EXPLANATION OF GRAPHICAL SYMBOLS:	= "DANGEROUS VOLTAGE" = "IT IS NECESSARY FOR THE USER TO REFER TO THE INSTRUCTION MANUAL"	EXPLICACION DE SIMBOLOS GRAFICOS:						
EXPLICATION DES SYMBOLES GRAPHIQUES:	= "VOLTAJE PELIGROSO" = "ES NECESARIO QUE EL USUARIO SE REFIERA AL MANUAL DE INSTRUCCIONES."	"REFERREZ-VOUS AU MANUAL D'UTILISATION"						



Congratulations!

You are now the proud owner of the Crate GT3500H ShockWave three-channel guitar amplifier. This rugged amplifier combines outstanding features with serious clean and distorted sounds. The rear panel Effects Loop allows you to connect your effects for greater flexibility. Channel switching and reverb may be controlled by means of the supplied CFS3 footswitch.

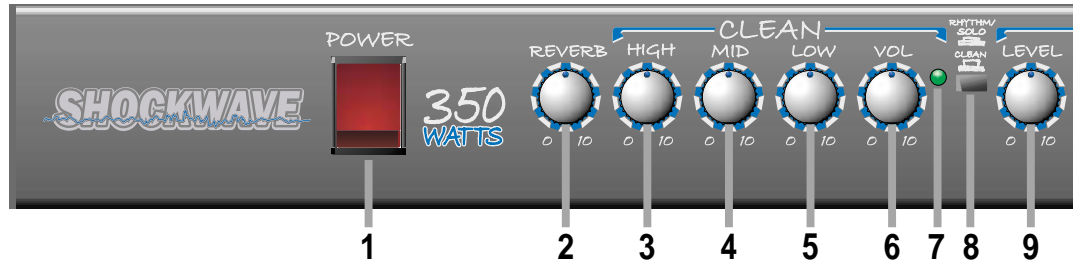
Like all Crate products, your GT3500H ShockWave amplifier is designed by musicians, and built using only the best components. Extensive testing confirms that this amplifier is the absolute best it can be.

In order to get the most out of your new amplifier, we strongly urge you to read the information contained in this manual before you begin playing.

And **thank you** for choosing Crate.

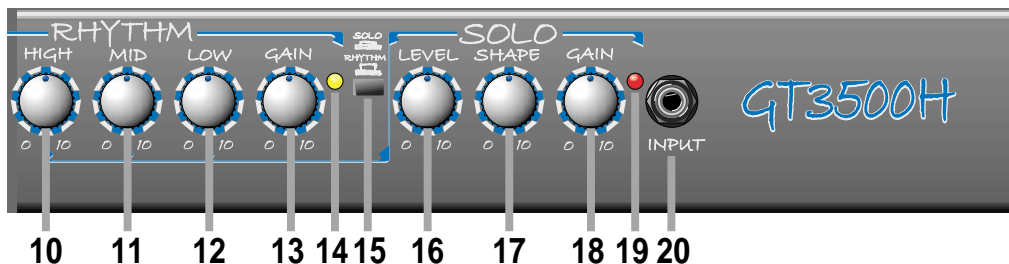
CRATE SHOCKWAVE 350 WATT GUITAR AMPLIFIER GT3500H

The Front Panel:

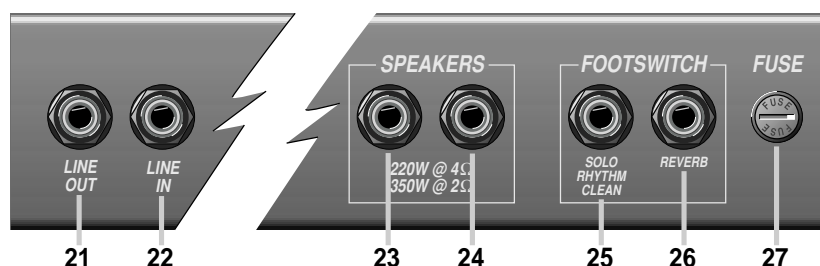


1. **POWER:** Use this switch to turn the amplifier on (top of the switch depressed) and off (bottom of the switch depressed). The switch illuminates when the power is on.
2. **REVERB:** Use this control to adjust the amount of reverb effect: in its fully counterclockwise position the signal will be “dry” (without any effect). As you rotate the control clockwise the amount of reverb increases.
- CLEAN CHANNEL:** A normal gain channel designed to give you crystal clean sounds.
3. **HIGH:** Use this control to adjust the high frequency level of the Clean channel.
4. **MID:** Use this control to adjust the midrange frequency level of the Clean channel.
5. **LOW:** Use this control to adjust the low frequency level of the Clean channel.
6. **VOL:** Use this control to adjust the output level of the Clean channel.
7. **CLEAN LED:** This LED illuminates when the Clean channel is selected.
8. **RHYTHM/SOLO/CLEAN:** Use this switch to select the Clean channel or the Solo and Rhythm channels. With the switch in the out position, the Clean channel is selected. When the switch is depressed, either the Solo or Rhythm channel is selected, depending on the setting of the Solo/Rhythm switch (#15).
- RHYTHM/SOLO CHANNELS:** High gain channels giving you sounds with serious overdrive.
9. **LEVEL:** Use this control to adjust the output level of the Rhythm channel.
10. **HIGH:** Use this control to adjust the high frequency level of the Solo/Rhythm channel.
11. **MID:** Use this control to adjust the midrange frequency level of the Solo/Rhythm channel.
12. **LOW:** Use this control to adjust the low frequency level of the Solo/Rhythm channel.
13. **GAIN:** Use this control to adjust the amount of distortion produced by the Rhythm channel.
14. **RHYTHM LED:** This LED illuminates when the Rhythm channel is selected.
15. **SOLO/RHYTHM:** Use this switch to select the Rhythm or Solo channel. With the switch in the out position, the Rhythm channel is selected. When this switch is depressed, the Solo channel is selected. This switch is active only when the Rhythm/Solo/Clean switch (#8) is depressed.
16. **LEVEL:** Use this control to adjust the output level of the Solo channel.
17. **SHAPE:** Use this control to “dial in” the tone for the Solo channel. Rotating the control counterclockwise enhances the mid frequencies, while rotating the control clockwise enhances the low and high frequencies.
18. **GAIN:** Use this control to adjust the amount of distortion produced by the Solo channel.
19. **SOLO LED:** This LED illuminates when the Solo channel is selected.
20. **INPUT:** Use this jack to connect your guitar to the amplifier by means of a shielded instrument cable.

CRATE SHOCKWAVE GT3500H 350 WATT GUITAR AMPLIFIER



The Rear Panel:



21. LINE OUT: When using an external effects processor, connect this jack to the input of the effect by means of a shielded signal cable. This jack also doubles as a source for a post-EQ, preamp signal to send your signal to a mixing board, recorder, powered monitor or external amplifier.

22. LINE IN: When using an external effects processor, connect this jack to the output of the effect by means of a shielded signal cable. This jack also doubles as a direct connection to the power amp, bypassing the input and preamp stages. This is useful for “slaving” a pair of amplifiers together.

23,24. SPEAKERS: Use these jacks to connect the amplifier to your speaker cabinet(s) using speaker cables with mono 1/4” plugs. These jacks are wired in parallel. Make sure that the combined impedance of your speakers is equal to or greater than 2 ohms! Use the chart below to help determine parallel loads. If in doubt, ask your dealer.

CAB IMP	# CABS	TOTAL IMP	CAB IMP	# CABS	TOTAL IMP
4 ohms	2	2 ohms	16 ohms	2	8 ohms
8 ohms	2	4 ohms	16 ohms	4	4 ohms
8 ohms	4	2 ohms	16 ohms	8	2 ohms

25. SOLO/RHYTHM/CLEAN FOOTSWITCH: Use this jack to connect the 1/4” stereo plug on the footswitch cable to the three-button footswitch (supplied). This allows you to remotely switch between the Clean and Distortion channels and between the Solo and Rhythm channels.

26. REVERB FOOTSWITCH: Use this jack to connect the 1/4” mono plug on the footswitch cable to the three-button footswitch (supplied). This allows you to remotely turn the reverb on and off.

27. FUSE: The fuse protects the amplifier from damages caused by a faulty AC power source and/or other problems. If the fuse fails, replace it **ONLY** with the same size and type. If fuses continue to fail, check the AC source – if the source is okay, contact your Crate dealer for service information.

28. AC LINE CORD (not shown): This grounded power cord is to be plugged into a grounded power outlet, wired to current electrical codes and compatible with the voltage, power, and frequency requirements stated on the rear panel. **Do not attempt to defeat the safety ground connection.**

CRATE SHOCKWAVE 350 WATT GUITAR AMPLIFIER GT3500H

Suggested Settings:

Sweet & Clean:



Just a 'Lil Nasty:



Politely Gritty:



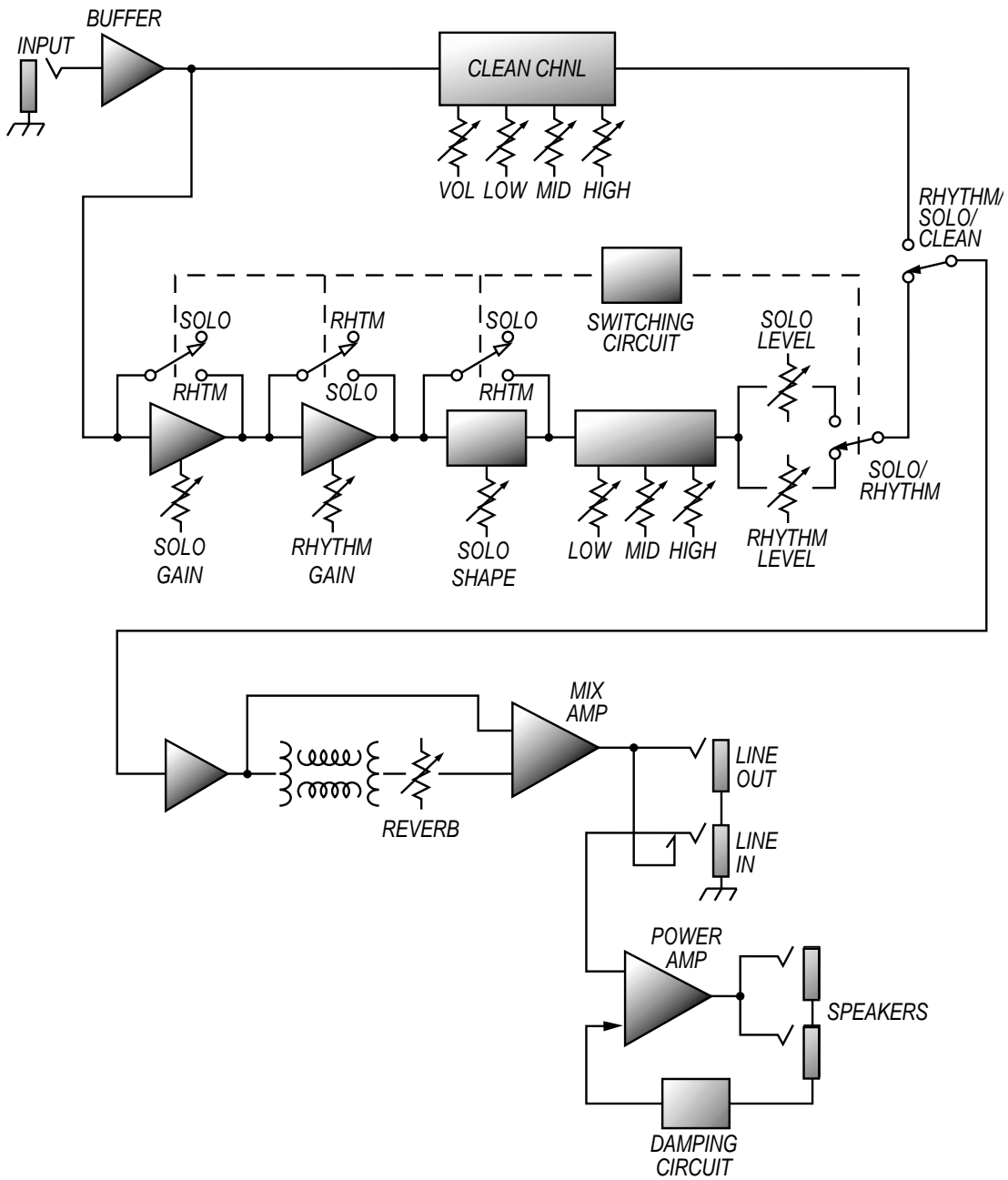
Down 'n Dirty!:



Mean & Obscene



System Block Diagram:





GT3500H TECHNICAL SPECIFICATIONS:

Output Power Rating		350W RMS @5% THD, 2Ω, 120 VAC
Input Impedance		470kΩ
Total System Gain	Solo Ch	110dB, all controls @10
	Rhythm Ch	88dB, all controls @10
	Clean Ch	58dB, all controls @10
Maximum Input Signal Accepted		7 volts peak-to-peak
Solo Channel	Shape Control	Proprietary Circuit
Rhythm Channel	Low Control	20dB range @ 80Hz
	Mid Control	15dB range @ 1kHz
	High Control	20dB range @ 10kHz
Clean Channel	Low Control	36dB range @ 80Hz
	Mid Control	15dB range @ 800Hz
	High Control	40dB range @ 10kHz
Power Requirements		120 VAC, 60Hz, 95VA 100/115VAC, 50/60Hz, 95VA; 230VAC, 50/60Hz, 95VA
Size and Weight		10" H x 30" W x 10-3/8" D, 41 lbs.

The GT3500H is covered with a durable Tolex material: wipe it clean with a lint-free cloth. Never spray cleaning agents onto the cabinet. Avoid abrasive cleansers which would damage the finish.

Crate continually develops new products, as well as improves existing ones. For this reason, the specifications and information in this manual are subject to change without notice.

Declaration of Conformity

Manufacturer's Name: SLM Electronics
Corporate Headquarters: 1901 Congressional Drive, St. Louis, Missouri 63146
Primary Production Facility: 700 Hwy 202 W, Yellville, Arkansas, 72687

Product Type: Audio Amplifier

Products meet the regulations for compliance marking under:

ETL standards UL6500 of UL813
CSA standards E60065 or C22.2 No.1-M90
CE safety standard EN60065
CE EMC standards EN55103 or EN55013 and EN61000
FCC standards 47CFR 15.107 and 15.109 Class A
C-tick designation Level 2, ABN #56748810738, ARBN# N222
KETI standard K60065 (limited model approval)

Compliance Support Contact: SLM Electronics, Attn: R&D Compliance Engineer
1901 Congressional Drive, St Louis, Missouri, 63146 • Tel.: 314-569-0141, Fax: 314-569-0175



www.crateamps.com

©2004 SLM Electronics, a division of St. Louis Music, Inc • 1400 Ferguson Avenue • St. Louis, MO 63133
47-919-02 • 040504